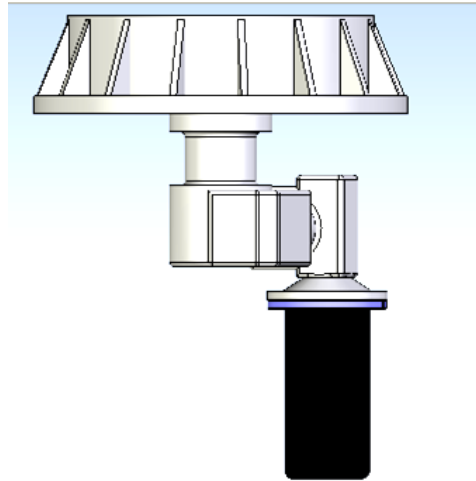


PLANOCENTRIC AZIMUTH DRIVE



Ratings are for preliminary selection - actual duty cycle and loads should be reviewed by Winsmith before final selection

Product Model	Bearing Pitch Diameter	Ratio (1) (2)	Normal Operating Torque	Max Operating Torque	Static Torque 1.1 SF	Static Overturning Moment 1.1SF	Static Axial Load Capacity	Static Radial Load Capacity	Maximum Backlash
			in lbs	in lbs	in lbs	in lbs	lbs	lbs	arc min
PL1400	13.9"	16,875:1	27,000	80,000	120,000	648,000	185,000	84,000	5
PL1500	15.3"	20,000:1	75,000	225,000	300,000	790,000	225,000	103,000	2
PL2000	20.5"	16,200:1	262,000	786,000	1,320,000	1,059,000	302,000	138,000	2

- (1) Ratios up to 240,000:1 available by changing primary ratio combinations
- (2) Unit will not backdrive under most conditions

DISCLAIMER. This information is intended to provide general guidance to assist in making the proper product selection for an application.

While this information is believed to be accurate, it is based on assumptions, calculations, information provided by others and, in some cases, not limited and specific laboratory tests, and on actual field conditions or applications. As such, it does not represent a guarantee with respect to characteristics or performance of the product in any given application or use. Winsmith products are intended for selection and use by trained and skilled persons capable of determining their suitability for the specific application or use. The purchaser or user is obligated to determine the suitability of products for the application or use. This information is subject to correction or change by Winsmith without notice. Please consult the Winsmith website for most recent updates



172 EATON STREET • SPRINGVILLE, NY 14141

Phone: (716) 592-9310 • Fax: (716) 592-9546 • www.WINSMITH.com