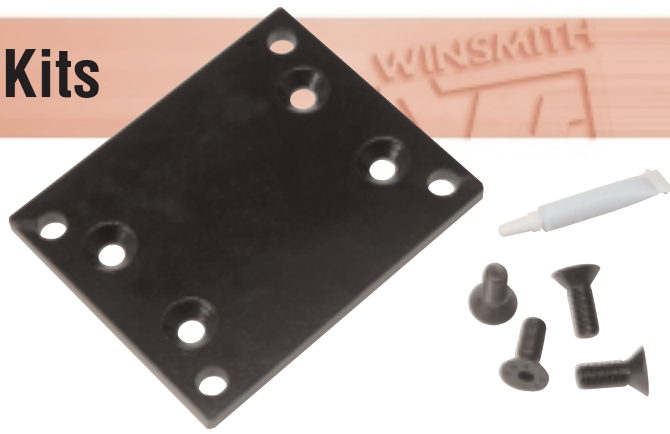
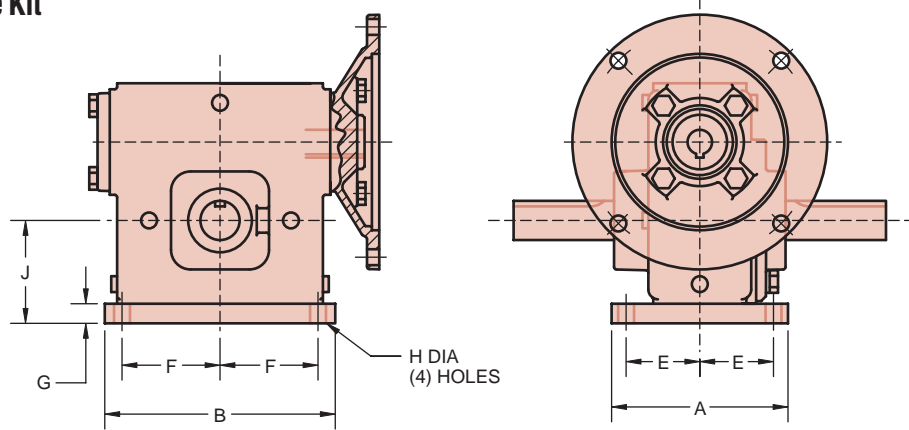
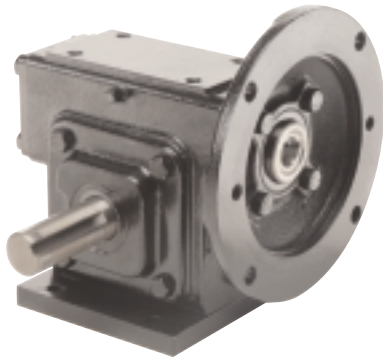


# Worm on Top Mounting Kits

**Worm on Top (T)  
Quill Input Adaptor  
Solid & Hollow Output Shafts  
Base Mount**

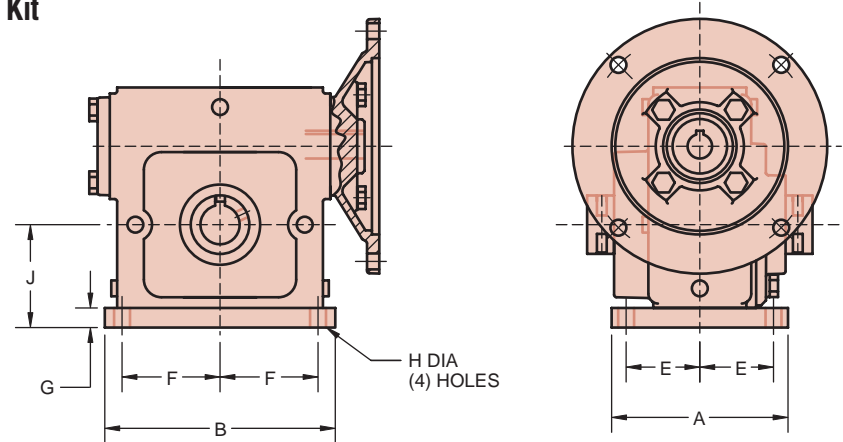
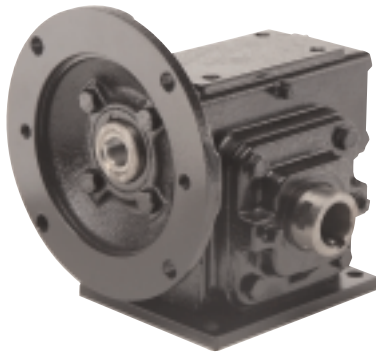


**MDNS Shown With Mounted (T) Base Kit  
Solid Output Shaft**



◆ Base Supplied Separately

**MDSS Shown With Mounted (T) Base Kit  
Hollow Output Shaft**



◆ Base Supplied Separately

## SPEED REDUCER DIMENSIONS (in.)

Size	A	B	E	F	G	H	J	Kit #	Kit lb.*
E13*	4.00	5.00	1.63	2.13	.25	.281	2.00	BK9998005	2
E17	4.50	5.50	1.75	2.31	.31	.406	2.44	BK9998001	3
E20	4.50	5.88	1.88	2.50	.50	.406	2.63	BK9998008	4
E24	4.50	7.00	1.88	3.13	.38	.406	3.25	BK9998012	4
E26	4.50	7.50	1.88	3.25	.38	.406	3.50	BK9998016	4
E30	6.00	8.00	2.38	3.50	.50	.563	4.00	BK9998018	7
E35	6.50	10.00	2.63	4.13	.50	.563	4.50	BK9998034	10
E43	7.00	11.00	2.88	4.88	.63	.563	5.00	BK9998109	14

\* Not available in MDSS hollow output    ■ Approximate shipping weights

