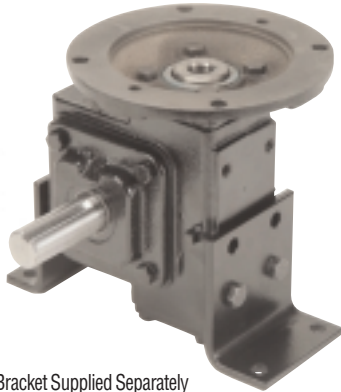


Vertical Input Mounting Kits

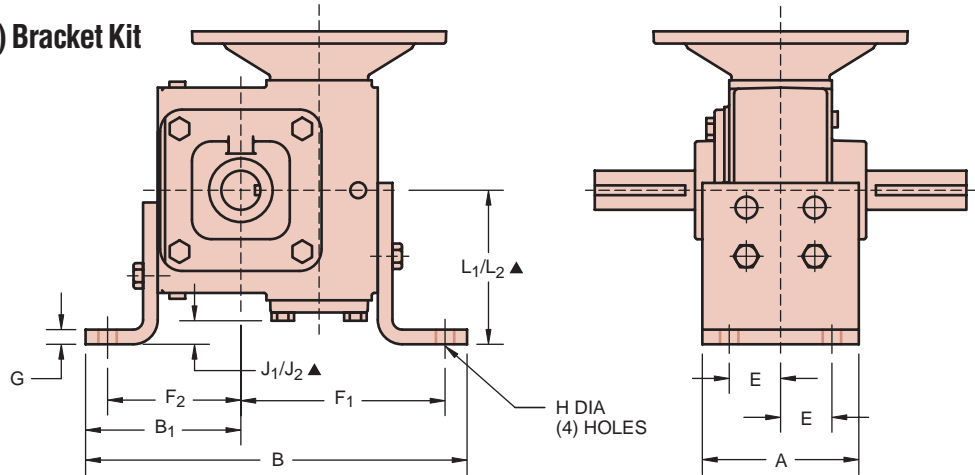
**Vertical (J)
Quill Input Adaptor
Solid & Hollow Output Shafts
Bracket Mount**



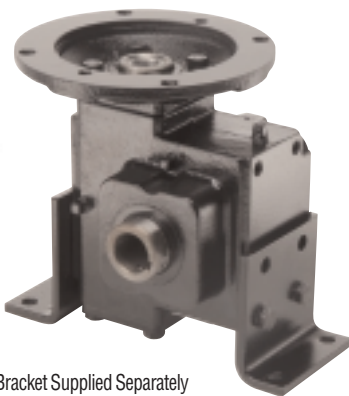
**MDNS Shown With Mounted (J) Bracket Kit
Solid Output Shaft**



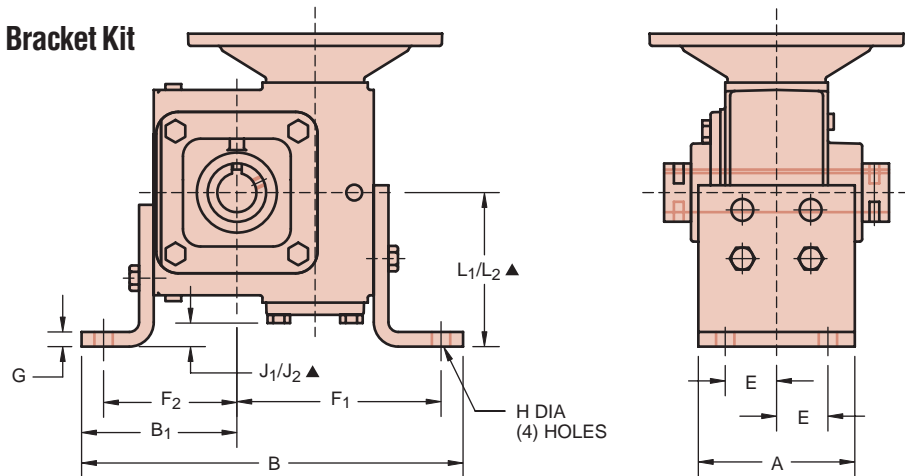
◆ Bracket Supplied Separately



**MDSS Shown With Mounted (J) Bracket Kit
Hollow Output Shaft**



◆ Bracket Supplied Separately



SPEED REDUCER DIMENSIONS (in.)

Size	A	B	B ₁	E	F ₁	F ₂	G	H DIA.	L ₁	J ₁	L ₂ [▲]	J ₂ [▲]	Kit #	Kit lb.*
E13*	3.00	7.43	3.10	1.00	3.82	2.60	.25	.344	2.94	.11	4.32	1.49	JK9998028	3
E17	3.50	8.63	3.50	1.25	4.63	3.00	.25	.406	3.50	.06	4.79	1.35	JK9998027	3
E20	4.00	9.75	3.97	1.31	5.22	3.41	.38	.469	3.94	.50	5.32	1.88	JK9998029	5
E24	4.00	10.75	4.63	1.44	5.56	4.06	.38	.469	4.63	.13	6.50	2.00	JK9998030	6
E26	4.50	11.63	4.75	1.56	6.25	4.13	.38	.531	4.75	.25	6.50	2.00	JK9998031	6
E30	5.50	12.50	5.25	2.00	6.63	4.63	.38	.531	4.75	.12	7.00	2.38	JK9998032	8
E35	5.50	14.50	6.19	2.00	7.56	5.19	.38	.531	5.69	.23	8.13	2.67	JK9998035	9
E43	6.50	15.88	6.56	2.50	8.56	5.81	.38	.656	6.50	.22	8.88	2.60	JK9998086	11

* Not available in MDSS hollow output ▲ L₂ and J₂ dimensions apply when using top (2) mounting holes on bracket

