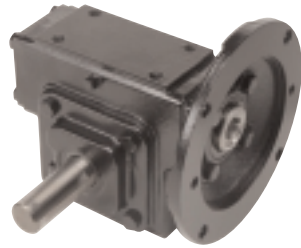
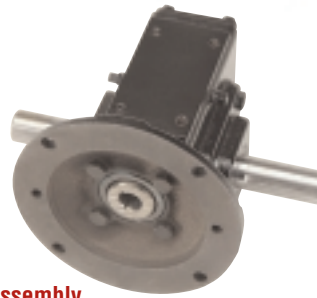


# MDNS Model Information

## Universal Quill Input Adaptor Solid Output Shaft Housing Mount



L Assembly

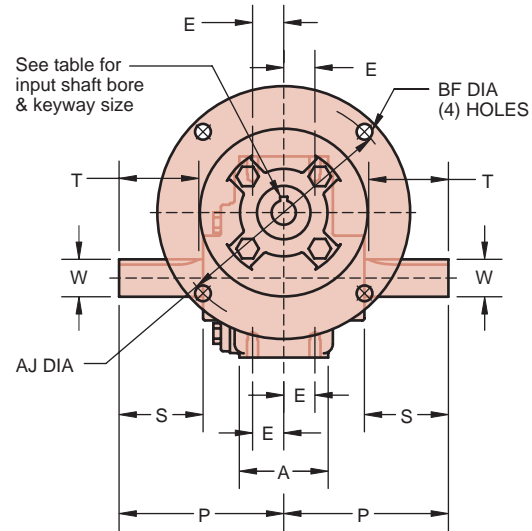
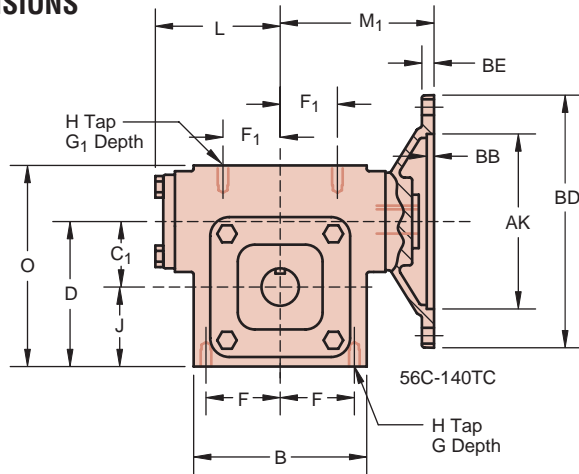


LR Assembly



R Assembly

### DIMENSIONS



### INPUT ADAPTOR DIMENSIONS (in.)

INPUT ADAPT. DIM.	56C	140TC	180TC	210TC
AJ	5.88	5.88	7.25	7.25
AK	4.50	4.50	8.50	8.50
BB	.19	.19	.19	.19
BD	6.50	6.50	9.00	9.00
BE	.31	.31	.38	.38
BF	.406	.406	.531	.531
KEYWAY	3/16 X 3/32		1/4 X 1/8	5/16 X 5/32
BORE <sup>+0.001</sup> / <sub>-.000</sub>	.6255	.8755	1.1255	1.3755

### SPEED REDUCER DIMENSIONS (in.)

Size	A	B	C <sub>1</sub>	D	E	F	F <sub>1</sub>	G DEPTH	G <sub>1</sub> DEPTH	H TAP	J	L	M <sub>1</sub> 56C 140TC	M <sub>1</sub> 180TC	M <sub>1</sub> 210TC	O	P	OUTPUT SHAFT				lb.*
																		W*	S	T	KEYWAY	
E13	2.00	3.88	1.333	3.08	.69	1.56	1.19	.56	.56	5/16-18	1.75	2.83	3.63*	NA	NA	4.33	4.00	.750	2.06	1.88	3/16 X 3/32	18
E17	2.38	4.63	1.750	3.88	.88	1.94	1.69	.63	.56	3/8-16	2.13	3.44	4.06	NA	NA	5.38	4.75	1.000	2.56	2.31	1/4 X 1/8	23
E20	2.38	5.25	2.000	4.13	.88	2.19	1.69	.63	.56	3/8-16	2.13	3.44	4.06	NA	NA	5.63	4.75	1.000	2.56	2.31	1/4 X 1/8	26
E24	3.13	5.38	2.375	5.25	1.13	2.19	2.19	.63	.57	1/2-13	2.88	4.50	5.38	5.38	NA	7.25	5.50	1.250	2.81	2.63	1/4 X 1/8	44
E26	3.13	5.88	2.625	5.75	1.13	2.44	2.44	.69	.69	1/2-13	3.13	4.50	5.38	5.38	NA	7.88	5.50	1.250	2.81	2.63	1/4 X 1/8	46
E30	3.50	6.62	3.000	6.50	1.31	2.75	2.75	.75	.75	1/2-13	3.50	4.63	5.56	5.56	NA	9.00	5.88	1.375	2.88	2.75	5/16 X 5/32	60
E35	3.75	7.69	3.500	7.50	1.31	3.25	3.25	1.00	1.00	5/8-11	4.00	5.46	5.81	5.81	NA	10.13	7.00	1.750	3.75	3.63	3/8 X 3/16	84
E43	4.38	8.75	4.250	8.63	1.63	3.75	3.75	1.00	1.00	5/8-11	4.38	6.28	6.63	6.63	6.63	11.50	8.00	2.000	4.38	4.19	1/2 X 1/4	155

\* Shaft diameter tolerances +.000 -.001    ▲ 56C adaptor only    ■ Approximate shipping weights  
Dimensions shown are for construction purposes only. Please contact Winsmith for certified dimension sheets.

