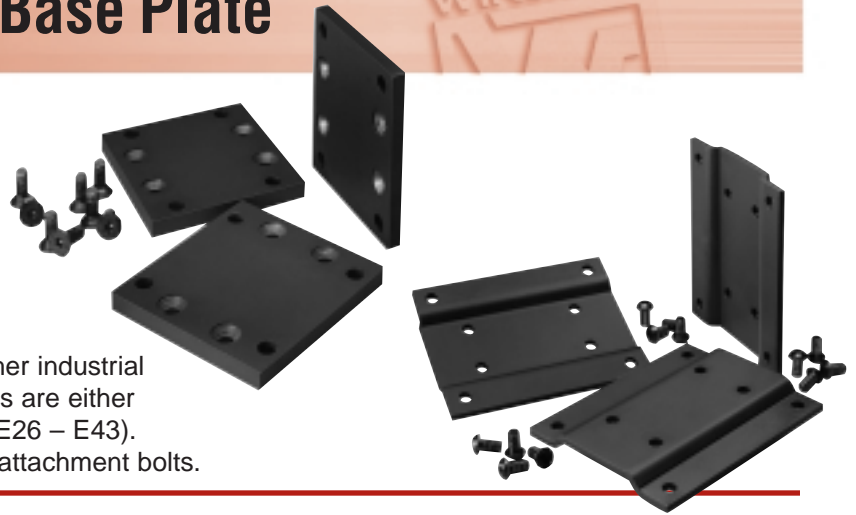


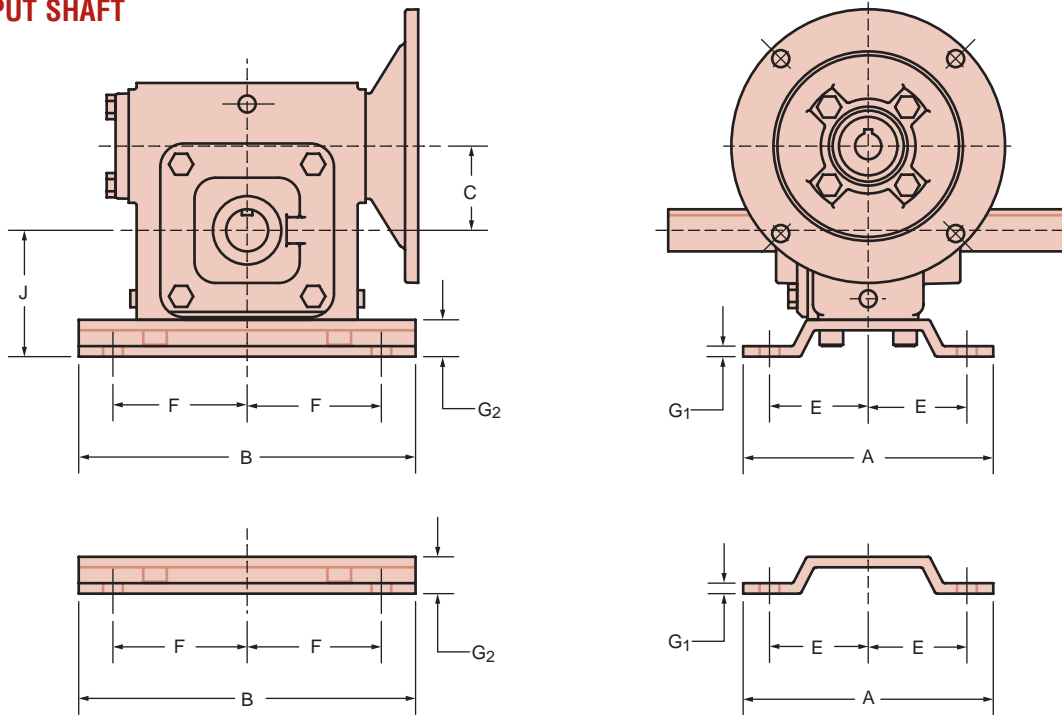
Industry Interchange Base Plate

Interchange (C) Quill Input Adaptor Solid and Hollow Output Shafts Base Mount



The industry interchange base mount adapts the SE Encore series to the mounting of many other industrial speed reducers. Industry interchange base mounts are either flat (most E17 and all E24) or formed (E13, E17, E26 – E43). All Industry Interchange Base Mount Kits include attachment bolts.

MDNS SHOWN WITH INTERCHANGE (C) BASE MOUNT KIT SOLID OUTPUT SHAFT



* Interchange Plate Supplied Separately

WINSMITH SIZE	WINSMITH CENTER DISTANCE	CENTER DISTANCE INTERCHANGE	OUTPUT SHAFT HEIGHT	BOLT MOUNTING PATTERN		BASE PLATE DIMENSIONS				BASE MOUNT KIT PART NUMBER
		C	J	E + E	F + F	A	B	G ₁	G ₂	
E13	1.333"	1.33"	2.25"	3.31"	4.38"	4.19"	5.50"	.25"	.50"	BK9998042
E17	1.750"	1.50"	2.50"	4.31"	5.25"	5.50"	6.44"	.375"	.375"	BK9998043
E17	1.750"	1.75"	2.75"	4.50"	5.75"	5.69"	7.00"	.25"	.625"	BK9998044
E20	2.000"	2.00"	3.00"	4.69"	6.38"	5.94"	8.00"	.313"	.875"	BK9998045
E20	2.000"	2.06"	3.00"	4.69"	6.38"	5.94"	8.00"	.313"	.875"	BK9998045
E24	2.375"	2.38"	3.25"	4.88"	7.06"	6.00"	8.50"	.375"	.375"	BK9998046
E26	2.625"	2.62"	3.69"	5.25"	8.00"	6.50"	9.63"	.25"	.562"	BK9998047
E30	3.000"	3.25"	4.38"	6.13"	9.50"	7.50"	11.19"	.375"	.875"	BK9998048
E30	3.000"	3.50"	4.38"	6.13"	9.50"	7.50"	11.19"	.375"	.875"	BK9998048
E35	3.500"	3.75"	4.81"	7.00"	10.38"	9.00"	12.00"	.375"	.813"	BK9998049

