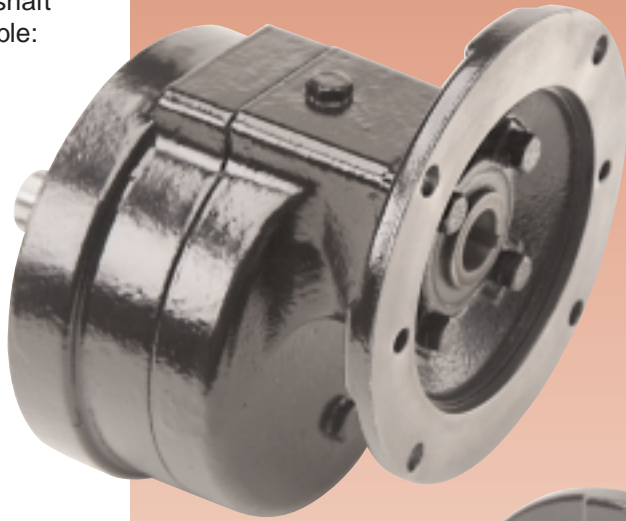


Helical Gear Ratio Multiplier

The Helical Gear Ratio Multiplier features a quill input flange along with a machined register output flange and shaft that duplicate NEMA C face flange and shaft dimensions. The following combinations are available:

- Size 206 is available with a NEMA 140TC input flange and a 4.500 inch, registered (140TC) output flange and shaft.
- Size 320 is available with a NEMA 180TC input flange and an 8.500 inch (180TC) output flange and shaft.
- Register diameter is machined to a NEMA tolerance of 0.003 inches, providing a precision interface with the driven equipment, which can be very useful especially in motion control applications.
- Available with 5.07 and 6.08 ratios.
- Completely self-contained ratio multiplier and includes an open-close vent, Mobilgear 600 XP 220 Oil and the WinGuard Epoxy Coating System.

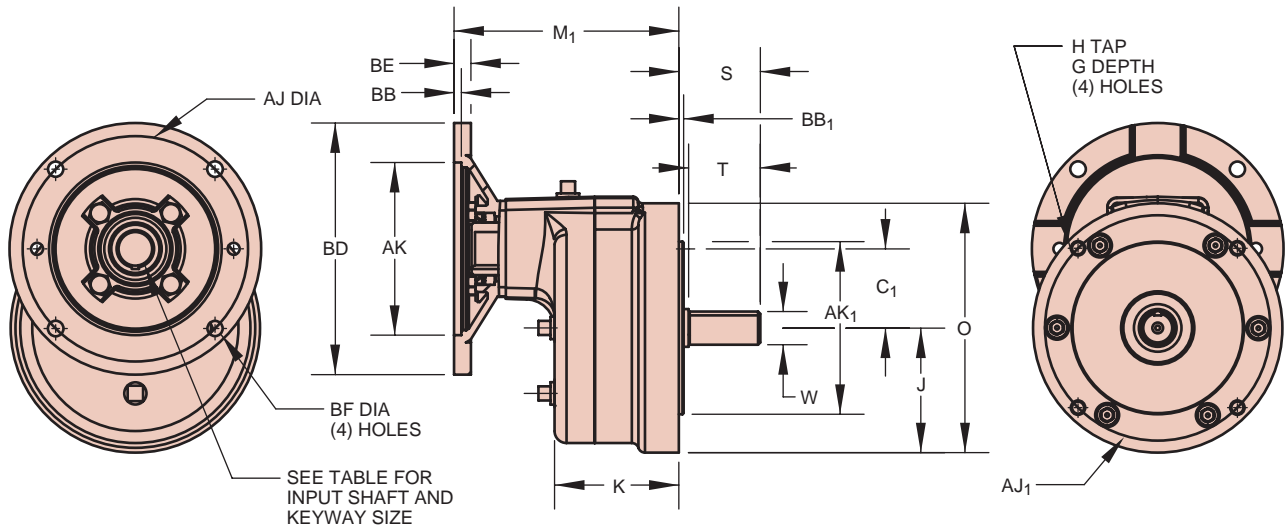
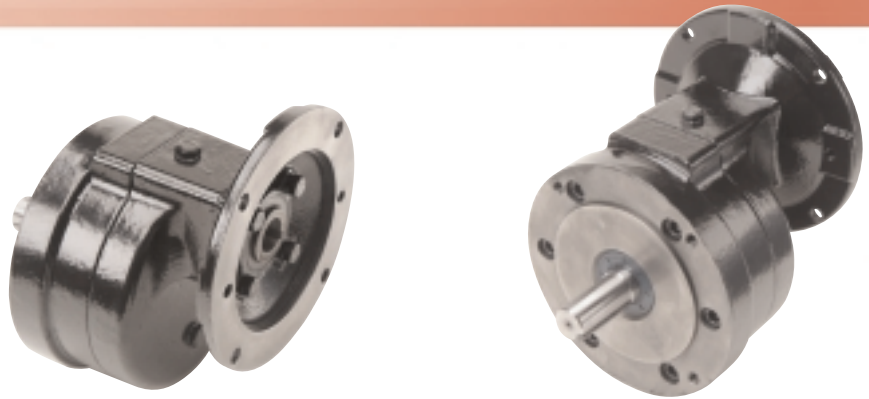
Coupling the Helical Gear Ratio Multiplier to the input of another NEMA C face reducer provides additional reduction. It also offers an easy method of creating a double reduction reducer on location or when mounting to another piece of NEMA C face equipment such as a brake or a clutch.



MHDS Model Helical Gear Ratio Multiplier

Quill Input Flange Solid Output Shaft Flange Mount – NEMA

4.50 inch diameter register *



RATIO MULTIPLIER DIMENSIONS (in.)

Size	C ₁	H	G DEPTH	J	K	M ₁ 56C 140TC	M ₁ 180TC	O	OUTPUT ADAPTOR							
									W*	S	T	KEYWAY	AJ ₁	AK ₁	B ₁	lb.*
206	2.062	3/8-16	.75	3.25	3.25	5.75	NA	6.50	.875	2.13	1.88	3/16 X 3/32	5.875	4.50	.125	25
320	3.200	1/2-13	1.00	4.50	4.35	7.13	7.31	9.00	1.125	2.88	2.50	1/4 X 1/8	7.250	8.50	.250	48

* Shaft diameter tolerances +.000 -.001

▪ Approximate shipping weights

RATIO MULTIPLIER RATINGS

RATIO (NOMINAL)	INPUT RPM	CENTER DISTANCE			
		2.06		3.20	
		INPUT HP	OUTPUT TORQUE	INPUT HP	OUTPUT TORQUE
5	1750	3.22	579	11.59	2082
	1160	2.21	601	8.06	2182
6	1750	2.67	575	9.47	1991
	1160	1.83	597	6.57	2085

INPUT FLANGE DIMENSIONS (in.)

INPUT FLANGE DIM.	56C	140TC	180TC
AJ	5.88	5.88	7.25
AK	4.50	4.50	8.50
BB	.19	.19	.19
BD	6.50	6.50	9.00
BE	.31	.31	.56
BF	.406	.406	.531
KEYWAY	3/16 X 3/32		1/4 X 1/8
BORE ^{+.001} / _{-.000}	.6255	.8755	1.1255



2D DRAWINGS & 3D MODELS
www.WINSMITH.com

