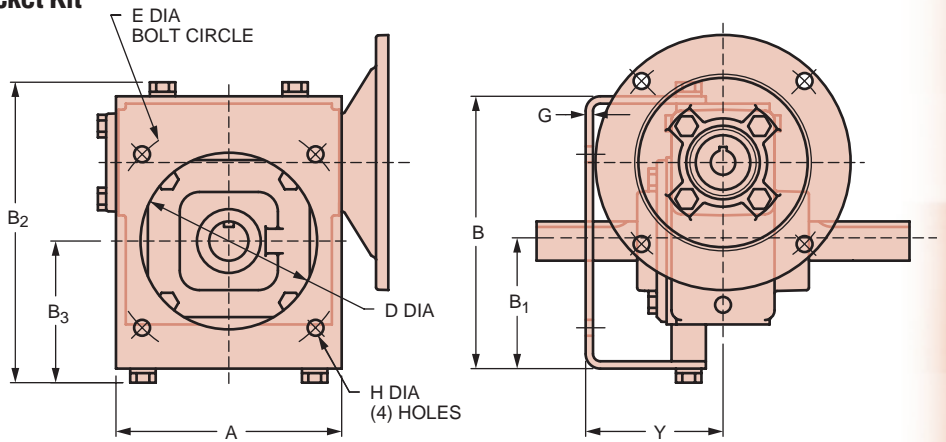
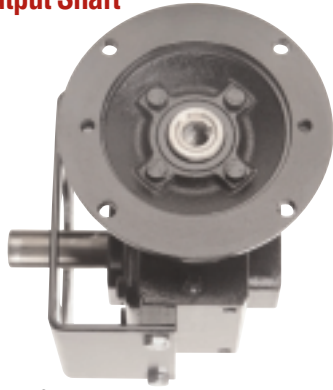


Flange Output Mounting Kits

Flange (U)
Quill Input Adaptor
Solid & Hollow Output Shafts
Bracket Mount

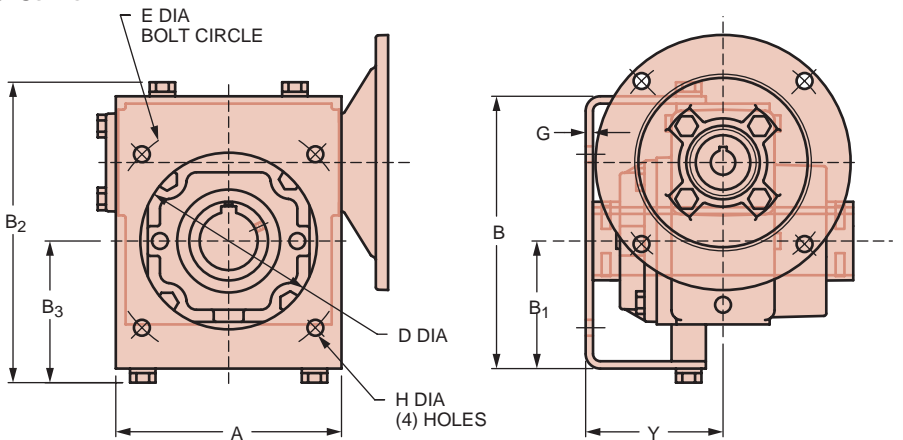
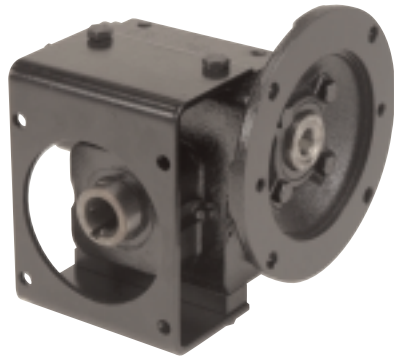


MDNS Shown With Mounted (U) Bracket Kit Solid Output Shaft



◆ Bracket Supplied Separately

MDSS Shown With Mounted (U) Bracket Kit Hollow Output Shaft



◆ Bracket Supplied Separately

SPEED REDUCER DIMENSIONS (in.)

Size	A	B	B ₁	B ₂	B ₃	D	E	G	H	Y	Kit #	Kit lb.*
E17	4.81	6.25	2.81	7.02	3.20	4.06	5.875	.19	.344	3.50	BK9998094	4
E20	5.75	6.94	3.25	7.71	3.64	4.50	6.500	.19	.406	3.50	BK9998095	4
E24	6.13	8.00	3.44	9.03	3.96	5.00	7.500	.19	.406	3.69	BK9998096	6
E26	7.19	8.63	3.63	9.66	4.14	6.00	8.000	.25	.406	3.82	BK9998097	7
E30	8.50	10.19	4.44	11.22	4.95	7.00	9.250	.25	.563	5.00	BK9998098	10
E35	8.50	11.00	4.63	12.27	5.26	7.00	10.000	.25	.563	5.06	BK9998099	11
E43	10.00	13.00	5.50	14.27	6.13	8.00	11.500	.38	.688	5.75	BK9998073	21

* Approximate shipping weights



2D DRAWINGS & 3D MODELS
 www.WINSMITH.com

