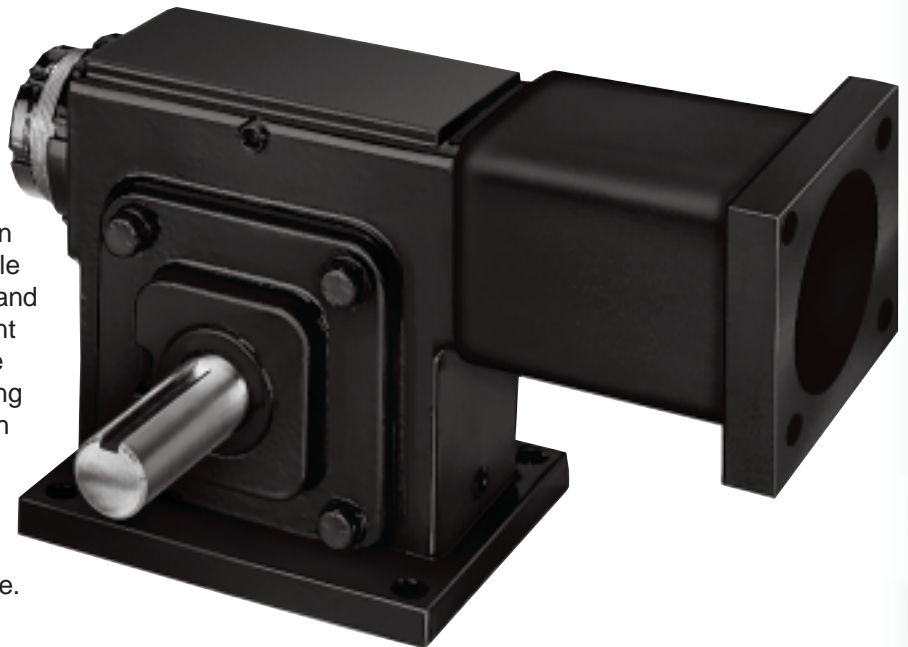


Motion Control “S-Eliminator”

Very Low Backlash Worm Gear Speed Reducers with Easy Adjustment

The patented low backlash S-Eliminator is adjusted to a maximum of 2 arc-minutes backlash at assembly. A pre-loaded bearing cartridge located on the outside of the housing holds a variable lead worm in mesh with a precision gear and allows for convenient backlash adjustment without taking the unit out of service. The backlash is adjusted by loosening a locking collar and rotating the cartridge. Backlash levels in the range of arc-seconds are achievable with proper run-in. Due to the “wear-in” characteristics of worm gears, this level of fine adjustment must be made after the unit has been in service.



APPLICATIONS

- Machine tools
- Tension control
- Indexing operations
- Rotary tables
- Converting equipment
- Servo positioning
- Robotic positioning
- Medical machines
- Antenna positioning

STANDARD CENTER DISTANCES

- 1.33" – 3.5"

RATIO RANGE

- Single Reduction — 4:1 – 60:1

AVAILABLE MODELS

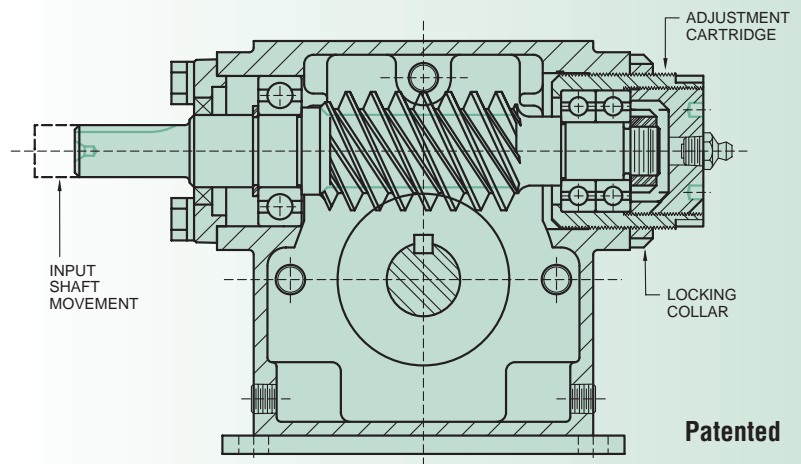
- NEMA C-Face Input adaptors
- Servo motor Input adaptors
- Non-motorized (single reduction only)

BACKLASH SPECIFICATIONS

- Factory adjusted for a maximum of 2 arc-minutes movement.

OUTPUT TORQUE

- 149 - 2450 lbf-in, depending on the center distance and the reduction.



For this and other low backlash Motion Control Products, please visit www.WINSMITH.com and download the WINSMITH MOTION CONTROL CATALOG.



2D DRAWINGS & 3D MODELS
www.WINSMITH.com

